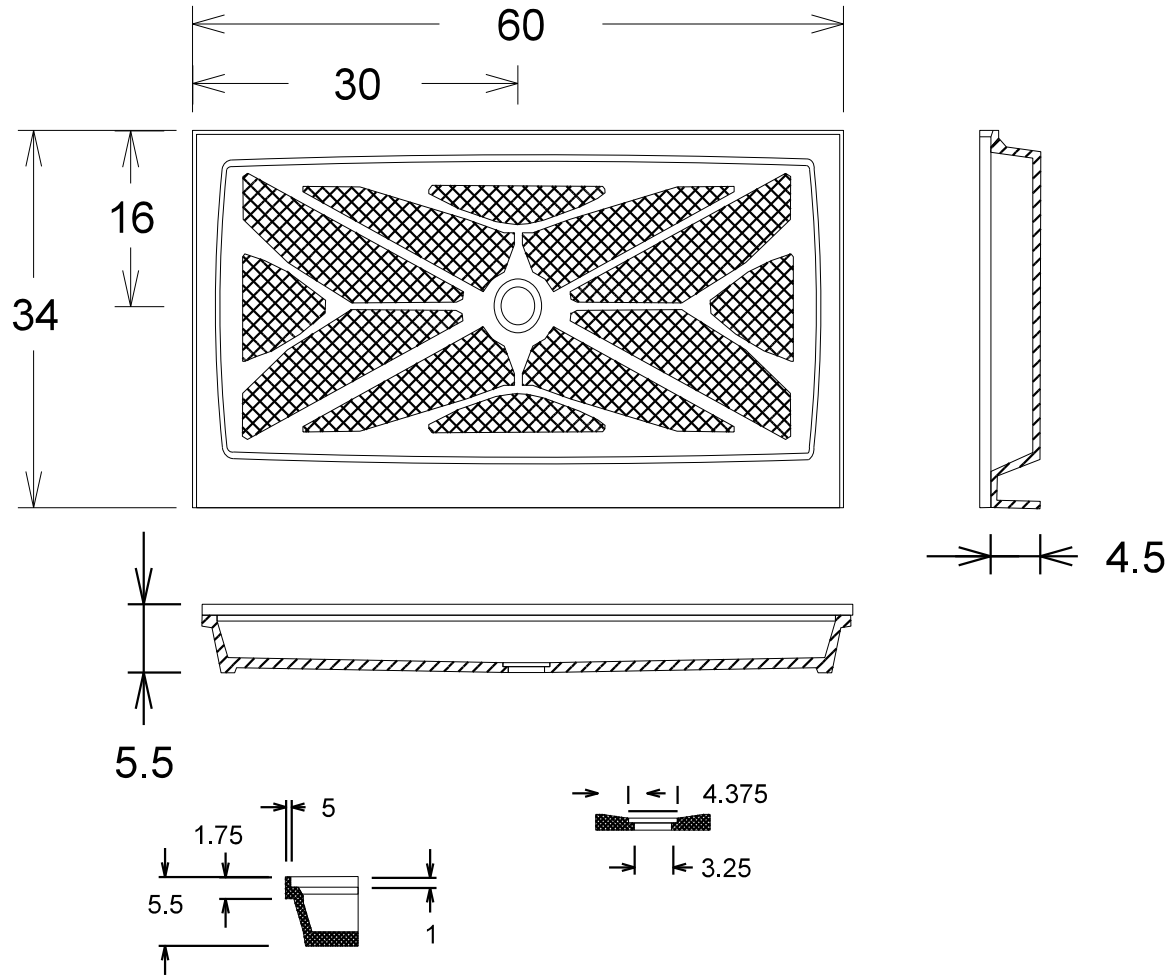


# 34"x 60"- Pan



PROJECT NAME	TYPE	COLOR	Notes
		<b>EDGE TYPE</b>	
Dwg#	Approved by:		
Date:	CUSTOMER FULLY UNDERSTANDS LAYOUT & ACKNOWLEDGES STYLES COLORS & DIMENSIONS VERIFY ALL DIMENSIONS AS SHOWN.	<b>FINISH:</b>	