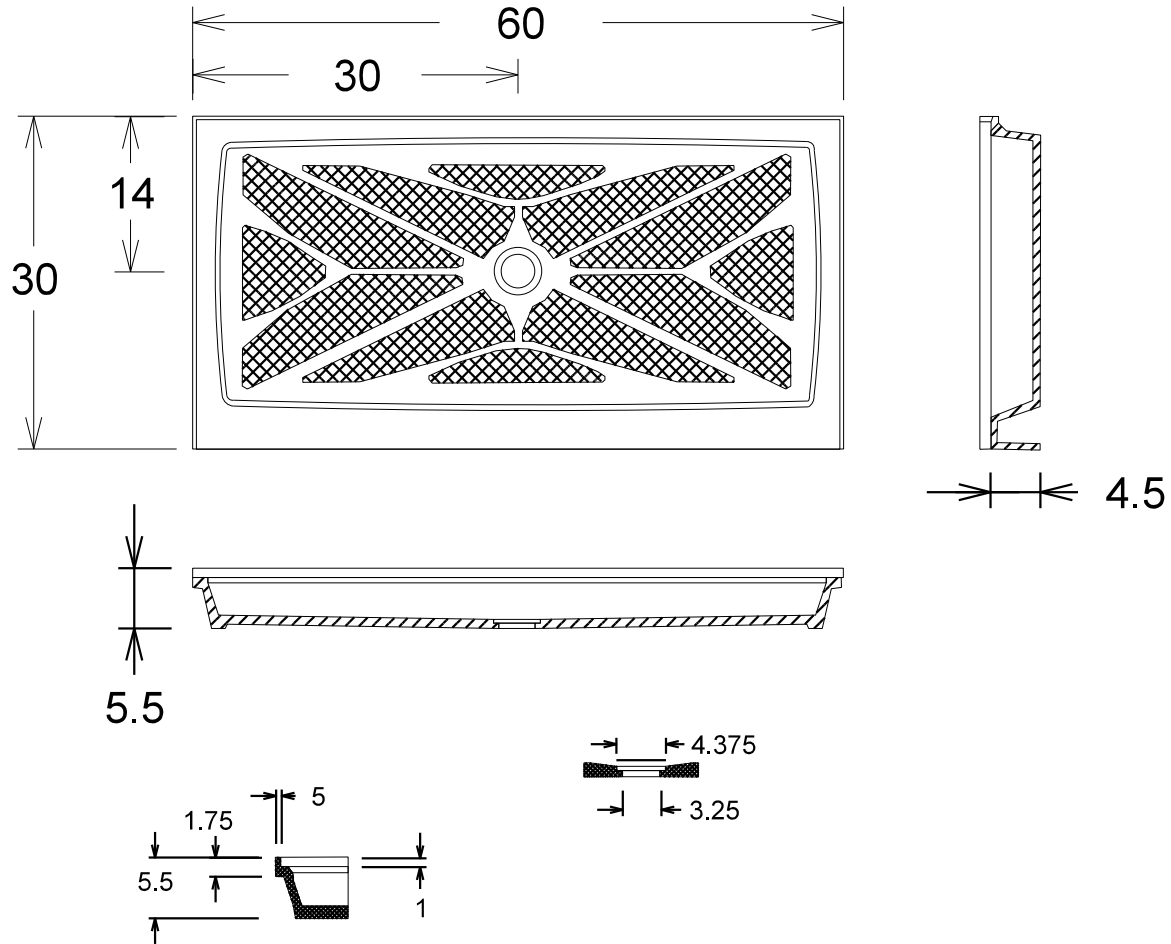


30"x 60"- Pan



PROJECT NAME	TYPE	COLOR	Notes
		EDGE TYPE	
Dwg#	Approved by:		
Date:	CUSTOMER FULLY UNDERSTANDS LAYOUT & ACKNOWLEDGES STYLES COLORS & DIMENSIONS VERIFY ALL DIMENSIONS AS SHOWN.	FINISH:	